

SPEEDWAY

SPM-563 Semi-automatic Case Erector & Pack Station

Side Belt Drive

Features:

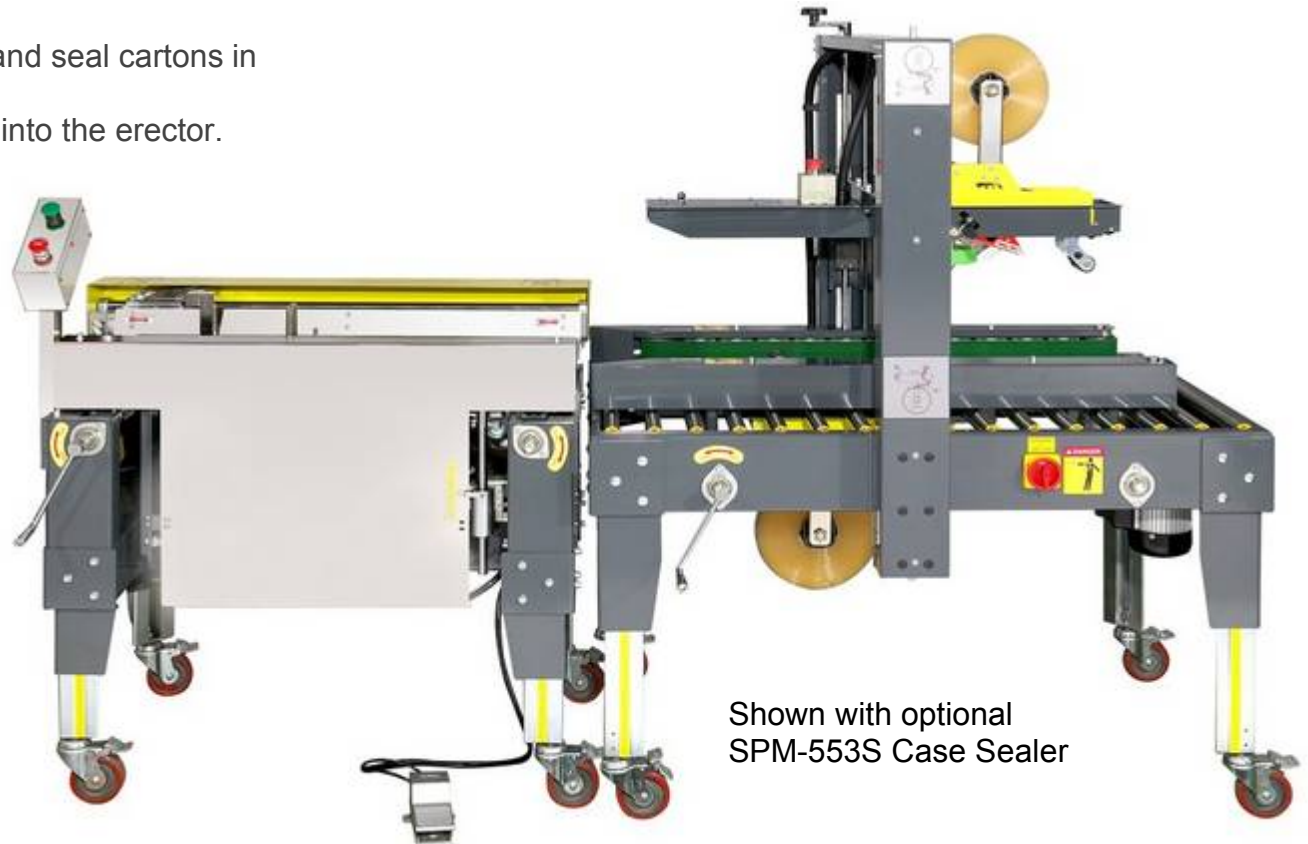
The **SPM-563** allows one person to form, pack and seal cartons in one operation.

The operator opens the flat carton and places it into the erector.

The machine folds the bottom flaps ready for packing.

After packing, the operator presses the footswitch or pushbutton.

The machine automatically pushes the carton into a case sealer, saving time and labour costs.



Shown with optional
SPM-553S Case Sealer

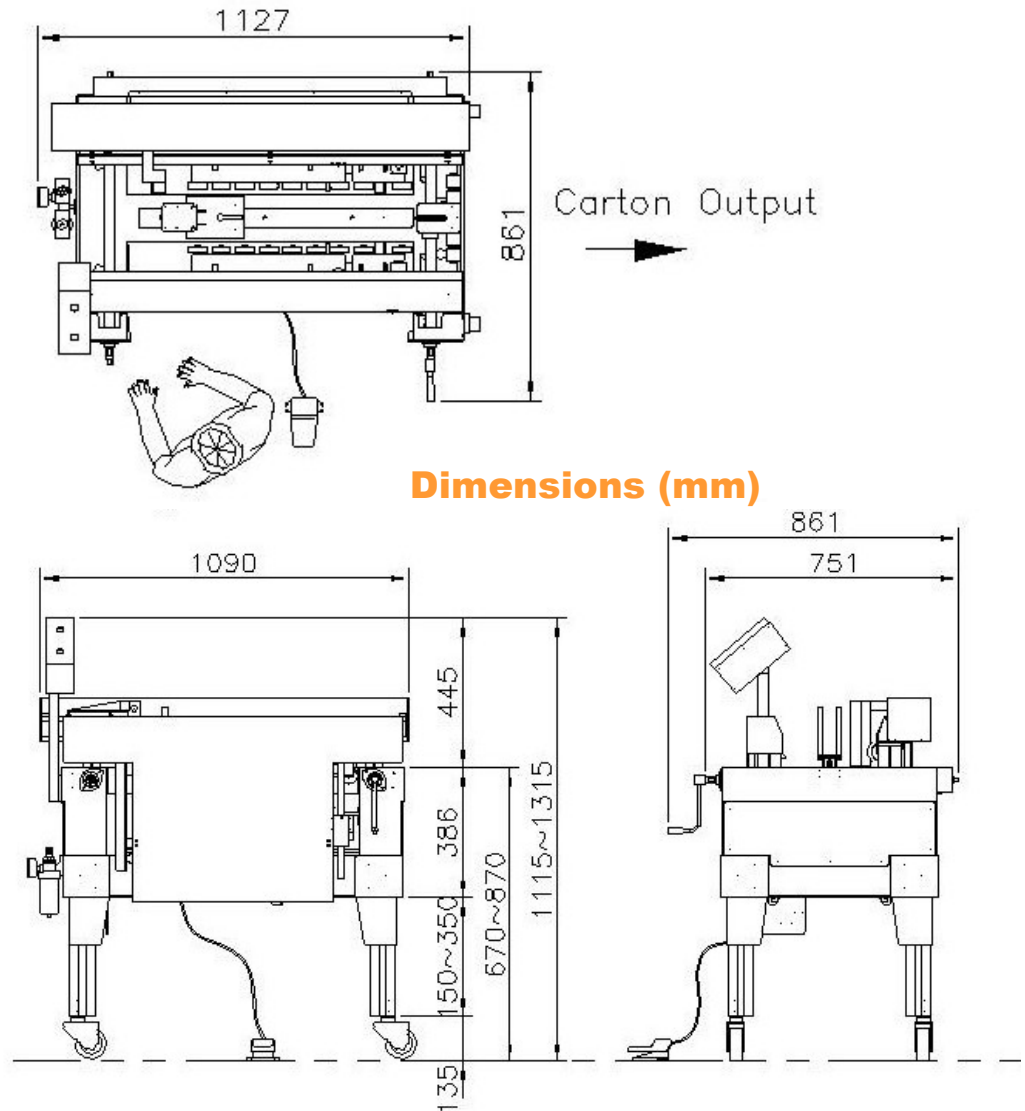
Manufactured in Taiwan

Speedway Packaging Machinery Inc.
www.spmi.ca

SPM-563S Semi-automatic Carton Erector and Pack Station

Specifications

| | |
|---------------------|--|
| Pneumatic operation | 3-4 CFM |
| Power | N/A |
| Folding Size | L : 250mm - 500mm W : 200mm - 400 H: 100mm - 500mm |
| Shipping Weight | 100 kg / 220 lbs |



Dimensions (mm)

Specifications are subject to change without notice-

Manufactured in Taiwan

Distributed by:

SPEEDWAY PACKAGING MACHINERY INC.

P.O. Box 520

10 Gormley Industrial Ave., Unit 1

Gormley, Ontario L0H 1G0

905-888-5344